



# I/O Connector Systems

Sicma

## 56 way sealed connector system

### Features

#### 56 way - 56 x 1.5 mm pin header

- Stitch-in pin headers
- Double row 3.33 x 6 mm pitch
- Gasket panel seal
- Mechanical polarization
- Straight or right angle version for PCB

#### 56 way female housing for 1.5 mm terminals

- Rear sealing by grommet
- Circumferential interface seal
- Pre-assembled front grid supports blade terminals guiding and mating
- Terminal position assurance (T.P.A.)
- Cable protection cover
- Locking cam



### Performance characteristics

- Temperature range: from -40°C to +125°C
- Contact retention force: > 100 N
- Contact insertion force: < 12 N
- Connector mating force: < 100 N
- Sealing protection: IP 68
- Acceptable wire range: from 0.5 to 2 mm<sup>2</sup>

### Construction

- Housing material:
  - Female housing: PBT
  - Pin header: PBT
- Interface seal: Silicone
- Rear grommet seal: Silicone
- Tab material and plating: CuZn30+Sn

### Tooling

- T.P.A. removal tool: 210S040
- Terminal removal tool: 210S048

### Connector compatibility

- Usable terminals:
  - Sicma-2 1.5 mm female terminals
  - Sicma-3 1.5 mm female terminals

Part Numbers	No. of position	Terminal size	Type	Colour
211 PL562Y0008	56	1.5 mm Straight angle	Pin header	Black
211 PL562Y1008	56	1.5 mm Straight angle	Pin header	Brown
211 PL562Y8008	56	1.5 mm Straight angle	Pin header	Grey
211 PL562Y9008	56	1.5 mm Straight angle	Pin header	White
211 PL562L0008	56	1.5 mm Right angle	Pin header	Black
211 PL562L0011	56	1.5 mm Right angle	Pin header	Black
211 PC562S0008	56	1.5 mm	Female housing	Black
211 PC562S1008	56	1.5 mm	Female housing	Brown
211 PC562S8008	56	1.5 mm	Female housing	Grey
211 PC562S9008	56	1.5 mm	Female housing	White
211 A560006			Protection cover	Black
211 A567004			Locking cam	Black

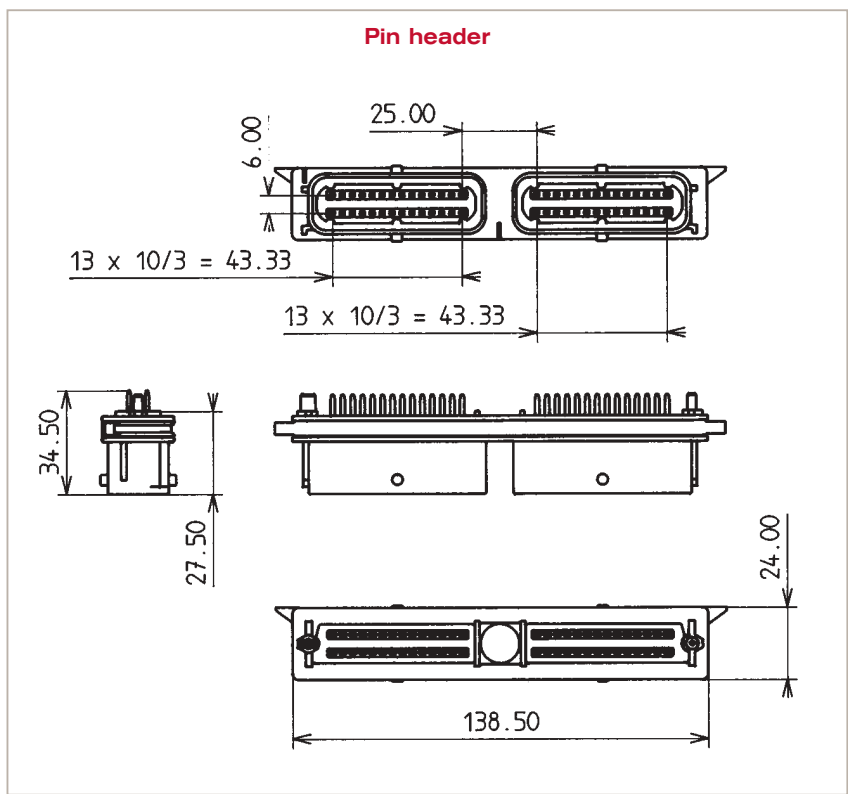
# I/O Connector Systems

Sicma

## 56 way sealed connector system

### Dimensional characteristics

Notes:



---

---

---

---

---

---

---

---

---

---

